

FH

BAH

TA.CP

TA

MOX

HT

4-45

VH

TSI/TSX

T

MT-TC-TC3



TAL20

TESTA AD ANGOLO - ANGLE HEAD



11,5 KG

PESO
WEIGHT

INPUT



OUTPUT

ROTAZIONE
ROTATION

Ø20



M14



1460 N



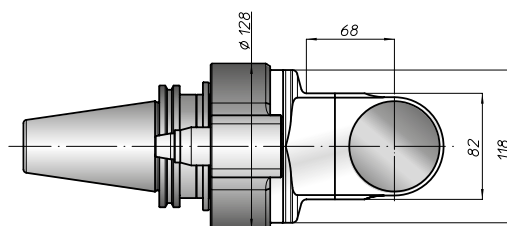
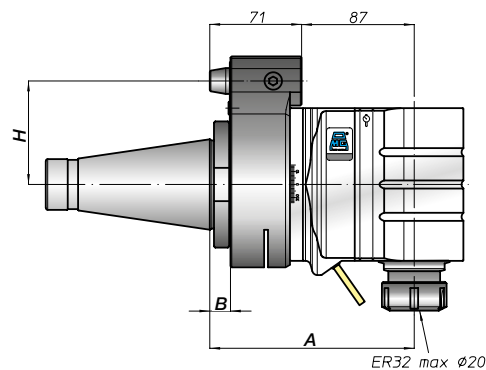
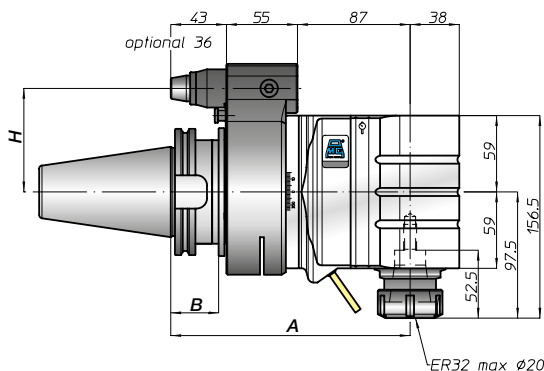
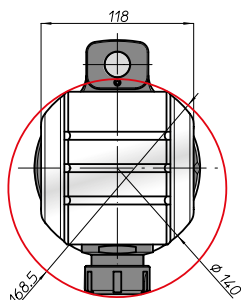
1-1



3500



90

CARATTERISTICHE
FEATURESER40
DIN6499-ERØ22-Ø27-Ø32
PORTAFRESSE
FACE MILL ARBORØ20-Ø25-Ø32
WHISTLE-NOTCHHSK40
DIN69893-HSKC4
COROMANT CAPTO®ABS40
LICENZA KOMET®
KOMET LICENCE®MANDRINI
DISPONIBILI
AVAILABLE
SPINDLESCONO
SHANK

DIN69871



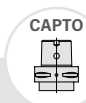
ANSIB5.50



BT

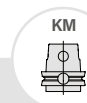


HSK



CAPTO

ISO26623



KM



DIN2080



NMTB

ANSIB5.18

SIZE

45

50

50

50

80

100

C8

80

100

50

50

A

185

185

193

194

189

185

158

158

B

35

35

45

46

41

16

16

H STANDARD

80

80

80

80

80

80

80

80

H OPTIONAL

110

110

110

110

110

110

110

110

For DIN69871, ANSIB5.50 and BT, dual contact as option

